

Kubota

全球产量第一
World Largest In Production

U-30-5

ZEPH SERIES

日本制造
Made In Japan



- High Performance Features
- Power, Speed, Maneuverability
- Advanced Japanese Technology
- International Standards Compliance
- Low Noise & Vibration
- Enhanced Durability & Payload



長利發機械建築私人有限公司

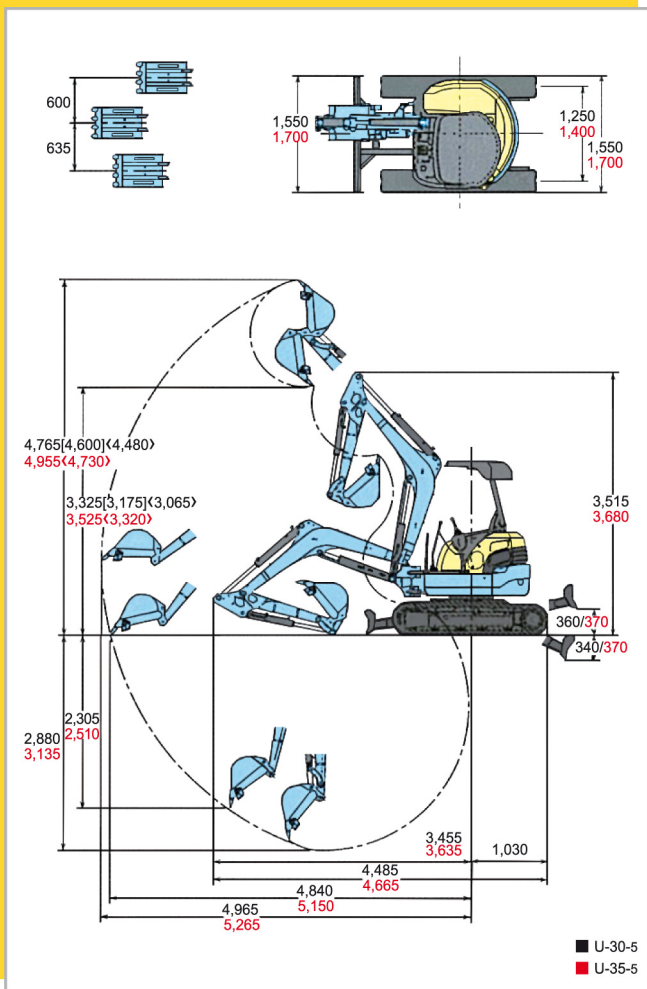
TIONG LEE HUAT MACHINERY & CONSTRUCTION PTE. LTD.

Blk 52 Ubi Avenue 3 #02-34 Frontier Singapore 408867

Tel: (65) 6445 8611 Fax: (65) 6241 9778

Webside: www.tiongleehu.com Email: tlhmcpl@singnet.com.sg

Dimension



Model	U-30-5
Bucket Capacity	0.09m ³
Bucket Width/ w/o Teeth	480/ 430mm
Machine Weight	3050kg
Overall Length	4485mm
Overall Height	2440mm
Overall Width	1550mm
Ground Clearance	290mm
Engine Type	Water Cooled D1703-EDM
Engine Displacement	1647cc
Engine Output	20.0kw(27.2PS)/ 2150rpm
Max Digging Height	4600mm
Max Dumping Clearance	3175mm
Max Digging Depth	2880mm
Max Vertical Digging Depth	2305mm
Max Digging Radius	4965mm
Min Front Swing Radius	1950mm
Tail Swing Radius	790mm
Max Digging Force	26.5kN (2700kgf)
Shoe Width	300mm
Crawler Length	2100mm
Track Length	1665mm
Track Gauge	1250mm
Max Travelling Speed	3.0/ 4.6 km/h
Gradeability	30°
Swivelling Speed	9.0rpm
Dozer Width	1550mm
Dozer Height	335mm
Dozer Up/ Down Clearance	360/ 340mm
Fuel Tank Capacity	40L
Hyd Oil Capacity	41L/33L (Tank)

Reliable Japanese Engine

高効率
High Efficiency



Powerful clean environmental engine

超强马力, 清洁排放

EPA Interim Tier 4

达到美国 EPA Interim Tier 4 水准

EU Stage IIIA

达到欧洲 EU Stage IIIA 排放标准

Low Noise

超低噪音

Low Vibration

低震动度

Features 特点



Multi Level



Concealed Hoses

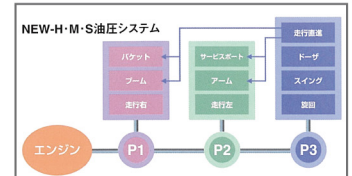


Rotary Engine Throttle with Auto Idling System



CYL Rod Protector

High Performance 高性能



New HMS Hydraulic System

Attachments 附件



Concrete Breaker



Hydraulic Grapple

Frontier Technology 顶尖科技



Digital Panel